

# INTERMOT DUAL DISPLACEMENT MOTORS

## IAC SERIES

### H7 MODEL

**IAC 4600 H7**

**IAC 5400 H7**

## INDEX

IAC 4600-5400 H7 D90	-----	Pag. 60
IAC 4600-5400 H7 D90 C3 SV	-----	" 61
IAC 4600-5400 H7 D90 C3-24 SV	-----	" 62
ORDERING INSTRUCTIONS	-----	" 63

## MOTOR TECHNICAL DATA

**IAC 4600 H7**

Displacement [cc/Rev]	<b>4617</b>	<b>4177</b>	<b>3650</b>	<b>3280</b>	<b>2950</b>	<b>2620</b>	<b>2290</b>	<b>1970</b>	<b>1640</b>
Specific theoretical torque [Nm/bar]	73,5	66,5	58,1	52,2	47	41,7	36,5	31,4	26,1
Continuous maximum speed [rpm]	150	158	168	175	210	235	275	305	380
Minimum speed [rpm]	1	1	1	1	1	1	1	1	1
Mechanical efficiency [%]	95,3	95,1	94,5	94,4	93,3	92,4	91,5	90,1	86,5
Starting mechanical efficiency [%]	85,1	84	83,3	82,5	81,2	80,1	78	75,2	72,4
Continuous maximum power [kW]	190	180	165	150	140	129	115	104	88
Intermittent maximum power [kW]	213	202	185	169	157	145	129	122	110
Continuous maximum pressure [bar]	250	250	250	250	250	250	250	250	250
Intermittent maximum pressure [bar]	275	275	275	275	275	275	275	275	275
Peak pressure [bar]	350	350	350	350	350	350	350	350	350
Recommended flushing flow [l/min]	12	12	12	12	12	12	12	12	12
Displacement [cc/Rev]	<b>1310</b>	<b>980</b>	<b>655</b>	<b>492</b>	<b>328</b>	<b>164</b>	<b>82</b>	<b>0</b>	
Specific theoretical torque [Nm/bar]	20,9	15,6	10,4	7,8	5,2	2,6	0	0	
Continuous maximum speed [rpm]	435	460	495	520	550	1000	1000	1000	
Minimum speed [rpm]	1	1	2	2	3	3	4	0	
Mechanical efficiency [%]	83	78,4	76,2	66	46,4	0	0	0	
Starting mechanical efficiency [%]	67,2	58	41	23,7	0	0	0	0	
Continuous maximum power [kW]	73	56	38	27	15	0	0	0	
Intermittent maximum power [kW]	96	80	56	39	20	0	0	0	
Continuous maximum pressure [bar]	250	250	250	250	250	250	17	17	
Intermittent maximum pressure [bar]	275	275	275	275	275	275	17	17	
Peak pressure [bar]	350	350	350	350	350	350	17	17	
Recommended flushing flow [l/min]	12	12	12	12	12	12	15	15	

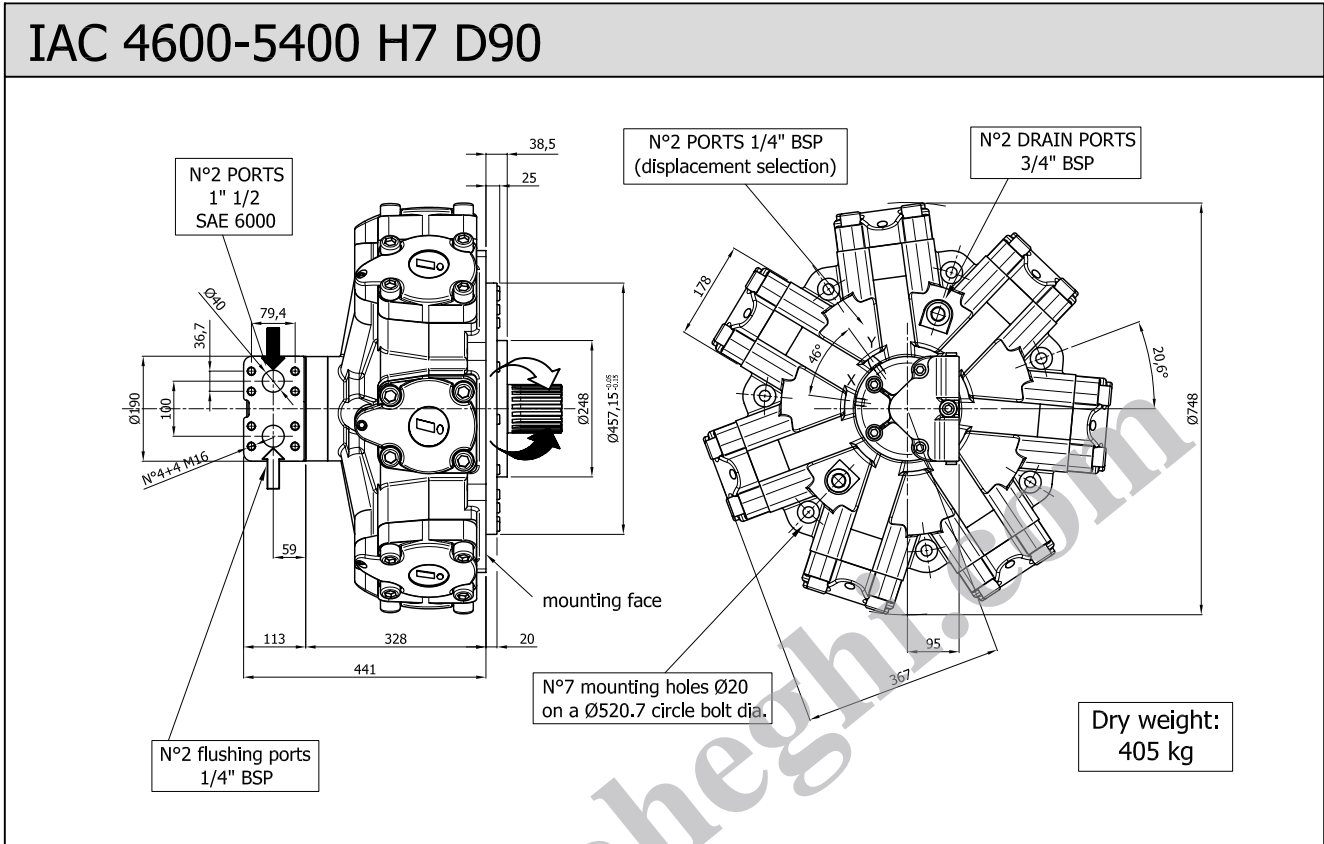
**IAC 5400 H7**

Displacement [cc/Rev]	<b>5326</b>	<b>5080</b>	<b>4915</b>	<b>4588</b>	<b>4097</b>	<b>3650</b>	<b>3280</b>	<b>2950</b>	<b>2620</b>	<b>2295</b>
Specific theoretical torque [Nm/bar]	84,8	80,9	78,2	73	65,2	58,1	52,2	47	41,7	36,5
Continuous maximum speed [rpm]	130	135	140	150	160	170	190	215	230	280
Minimum speed [rpm]	1	1	1	1	1	1	1	1	1	1
Mechanical efficiency [%]	95,2	95	95	95	95	94,4	94,3	93,2	92	91,5
Starting mechanical efficiency [%]	86	85,8	85,8	85,4	85,2	83	82,2	82	79,8	77,7
Continuous maximum power [kW]	190	190	190	190	178	162	152	140	130	120
Intermittent maximum power [kW]	216	216	216	216	200	182	170	160	145	135
Continuous maximum pressure [bar]	250	250	250	250	250	250	250	250	250	250
Intermittent maximum pressure [bar]	275	275	275	275	275	275	275	275	275	275
Peak pressure [bar]	350	350	350	350	350	350	350	350	350	350
Recommended flushing flow [l/min]	12	12	12	12	12	12	12	12	12	12
Displacement [cc/Rev]	<b>1970</b>	<b>1640</b>	<b>1560</b>	<b>1311</b>	<b>980</b>	<b>655</b>	<b>492</b>	<b>328</b>	<b>164</b>	<b>0</b>
Specific theoretical torque [Nm/bar]	31,4	26,1	24,8	20,9	15,6	10,4	7,8	5,2	2,6	0
Continuous maximum speed [rpm]	335	375	410	445	470	500	520	550	1000	1000
Minimum speed [rpm]	1	1	1	1	1	2	2	3	3	0
Mechanical efficiency [%]	90	86	84,5	82,3	78,3	76,2	66,2	46,5	0	0
Starting mechanical efficiency [%]	75,3	72,1	71,3	67	58	41	24	0	0	0
Continuous maximum power [kW]	105	90	85	75	58	40	26	15	0	0
Intermittent maximum power [kW]	120	110	102	98	82	56	40	20	0	0
Continuous maximum pressure [bar]	250	250	250	250	250	250	250	250	17	17
Intermittent maximum pressure [bar]	275	275	275	275	275	275	275	275	17	17
Peak pressure [bar]	350	350	350	350	350	350	350	350	17	17
Recommended flushing flow [l/min]	12	12	12	12	12	12	12	12	15	15

INTERCHANGEABLE WITH HMC270

## SIZE

### IAC 4600-5400 H7 D90

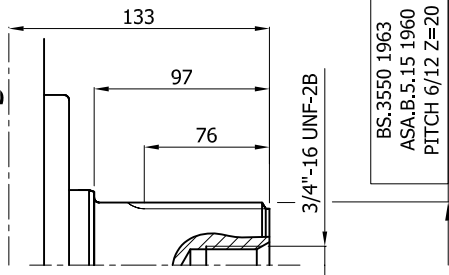


## SHAFT

### IAC 4600-5400 H7 D90

A1: Splined shaft

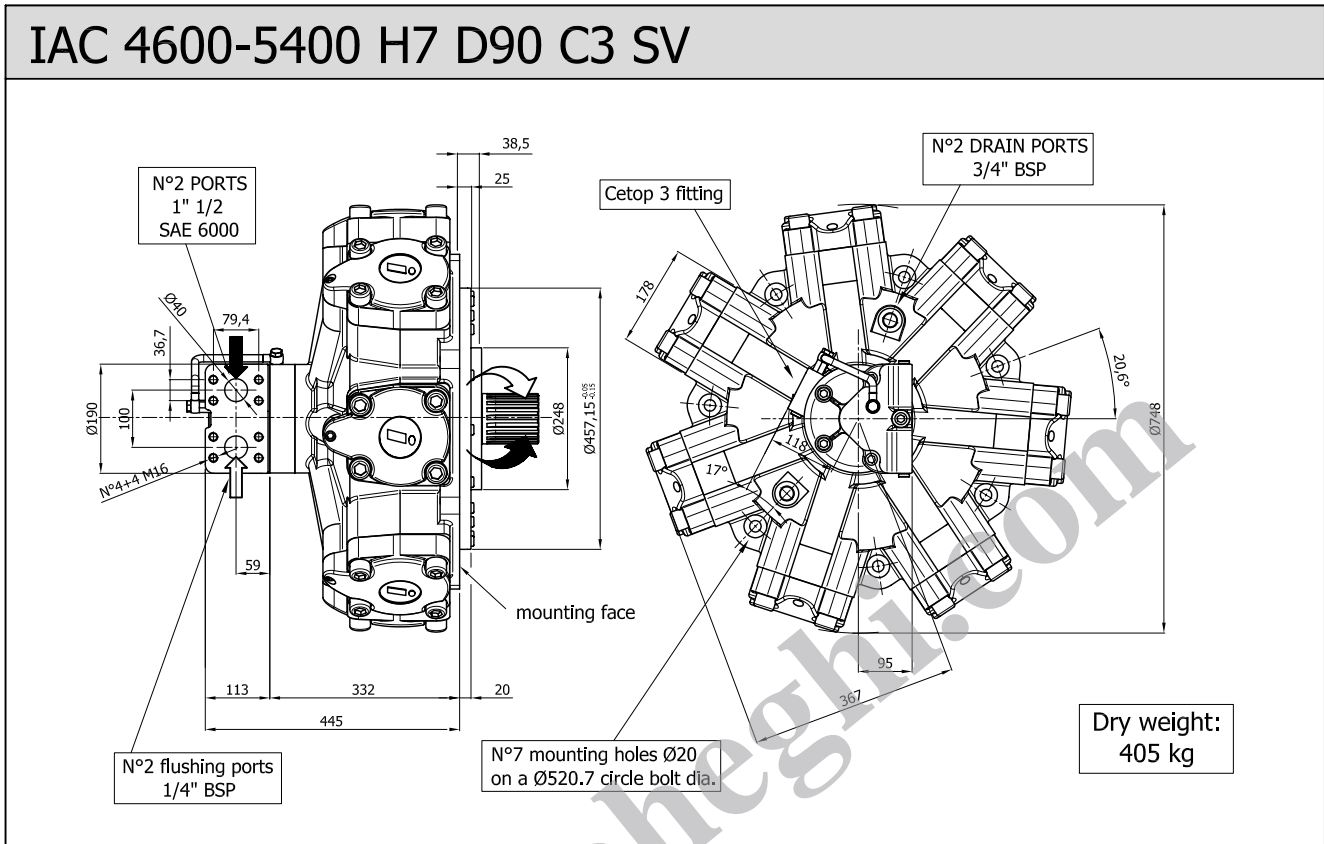
Mounting face



INTERCHANGEABLE WITH HMC270

## SIZE

### IAC 4600-5400 H7 D90 C3 SV

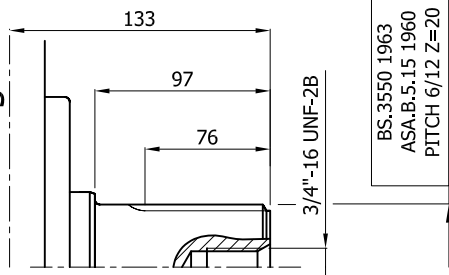


## SHAFT

### IAC 4600-5400 H7 D90 C3 SV

A1: Splined shaft

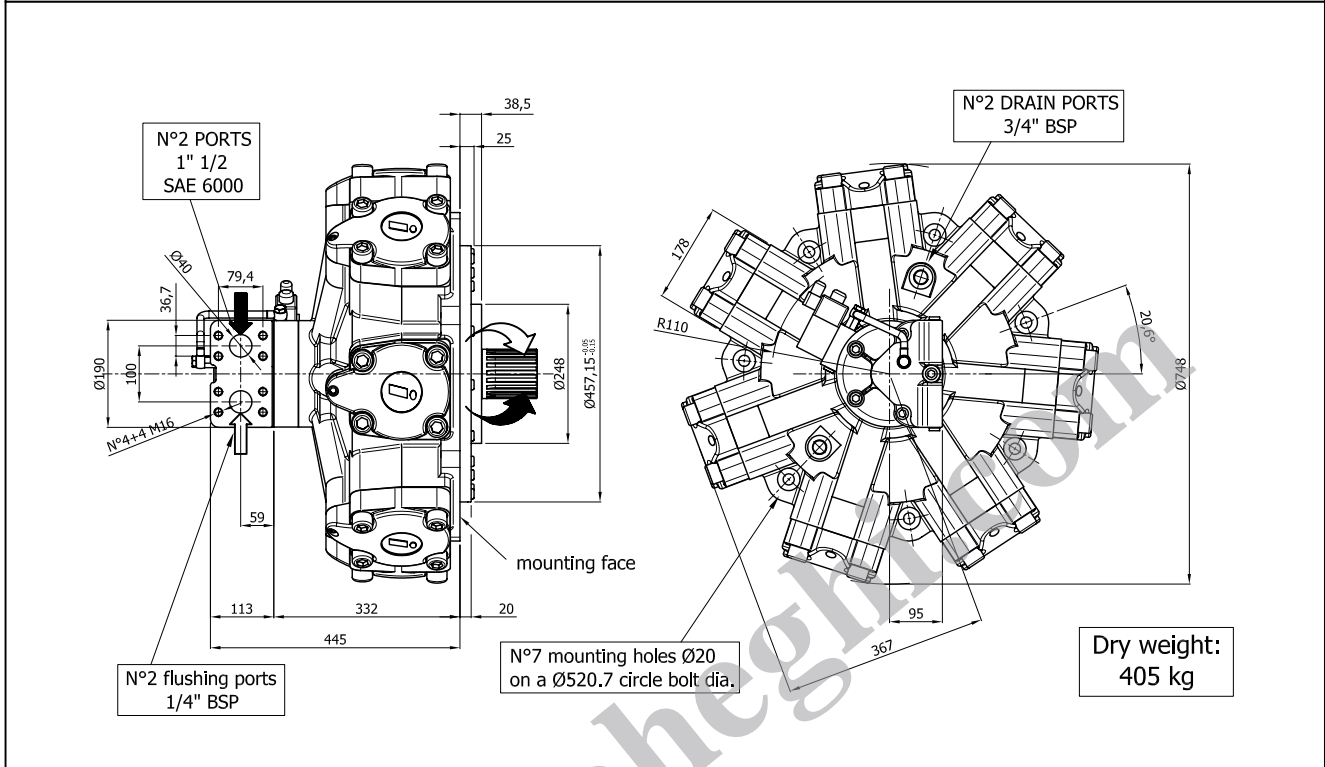
Mounting face



INTERCHANGEABLE WITH HMC270

## SIZE

### IAC 4600-5400 H7 D90 C3-24 SV

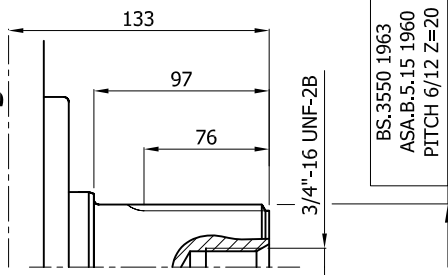


## SHAFT

### IAC 4600-5400 H7 D90 C3-24 SV

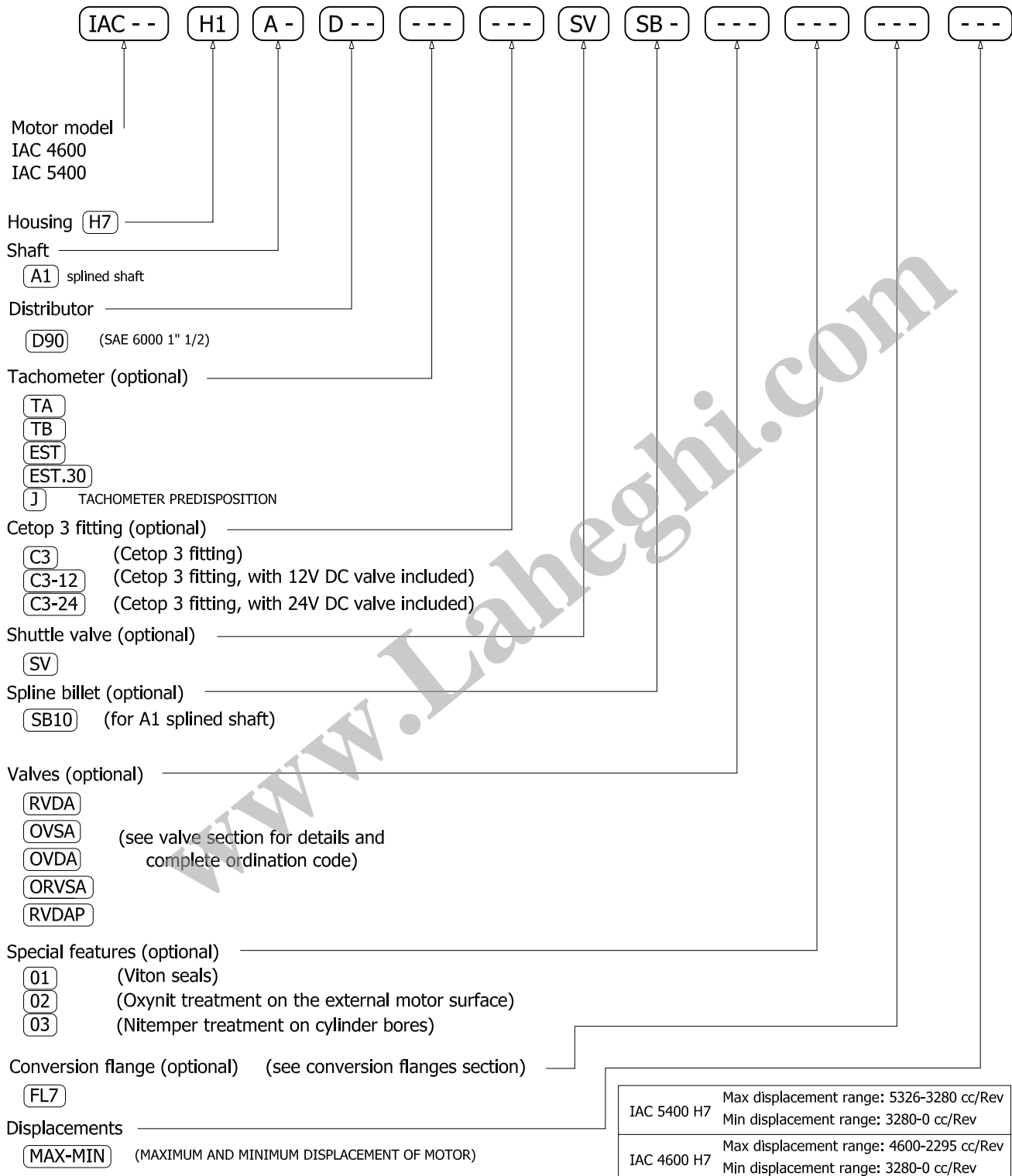
A1: Splined shaft

Mounting face



# ORDERING INSTRUCTIONS

# IAC H7



Different displacements on request

**EXAMPLE:** IAC.3000.H6.A1.D90.C3-24.SV.2950-1640  
IAC.3000/C.H6.A0.D90.J.C3.SV.2290-1150